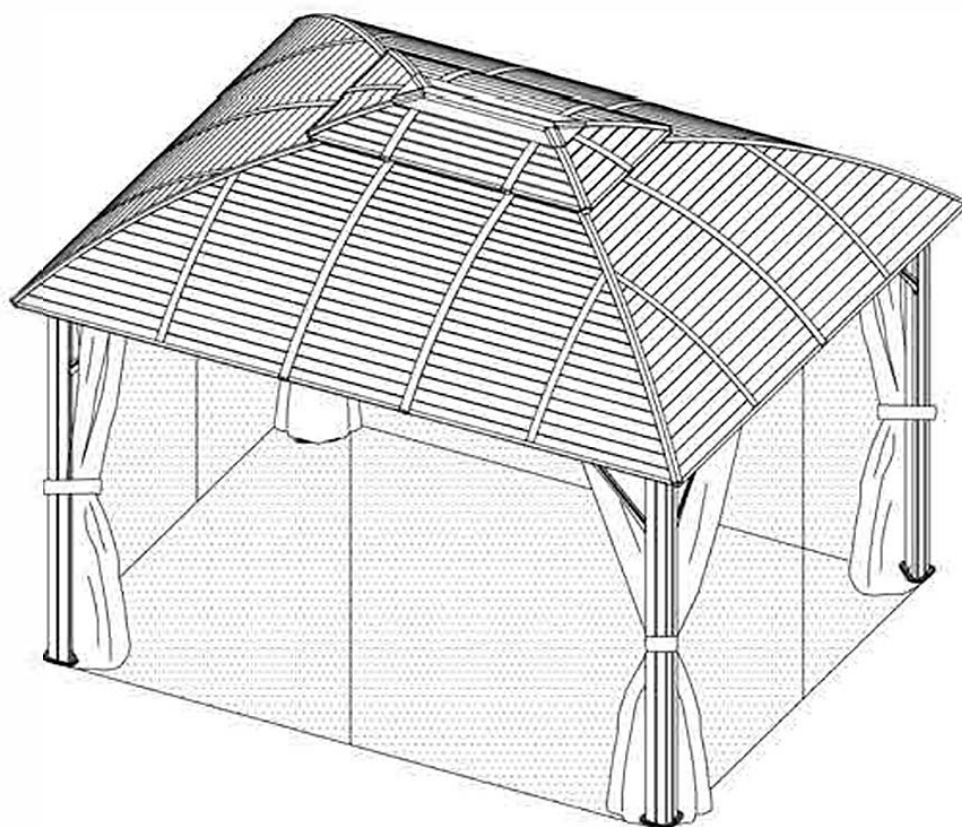


**10'X12 PERMANENT GAZEBO
WITH DOUBLE ROOF
ASSEMBLY MANUAL**





1. Two or more people are required for assembly.



5. Use the hex keys included in the box.



2. You will need one or more step ladders.



6. Please use a Phillips screwdriver.



3. Wearing protective gloves is recommended.



7. Do not fully tighten screws until assembly is completed.

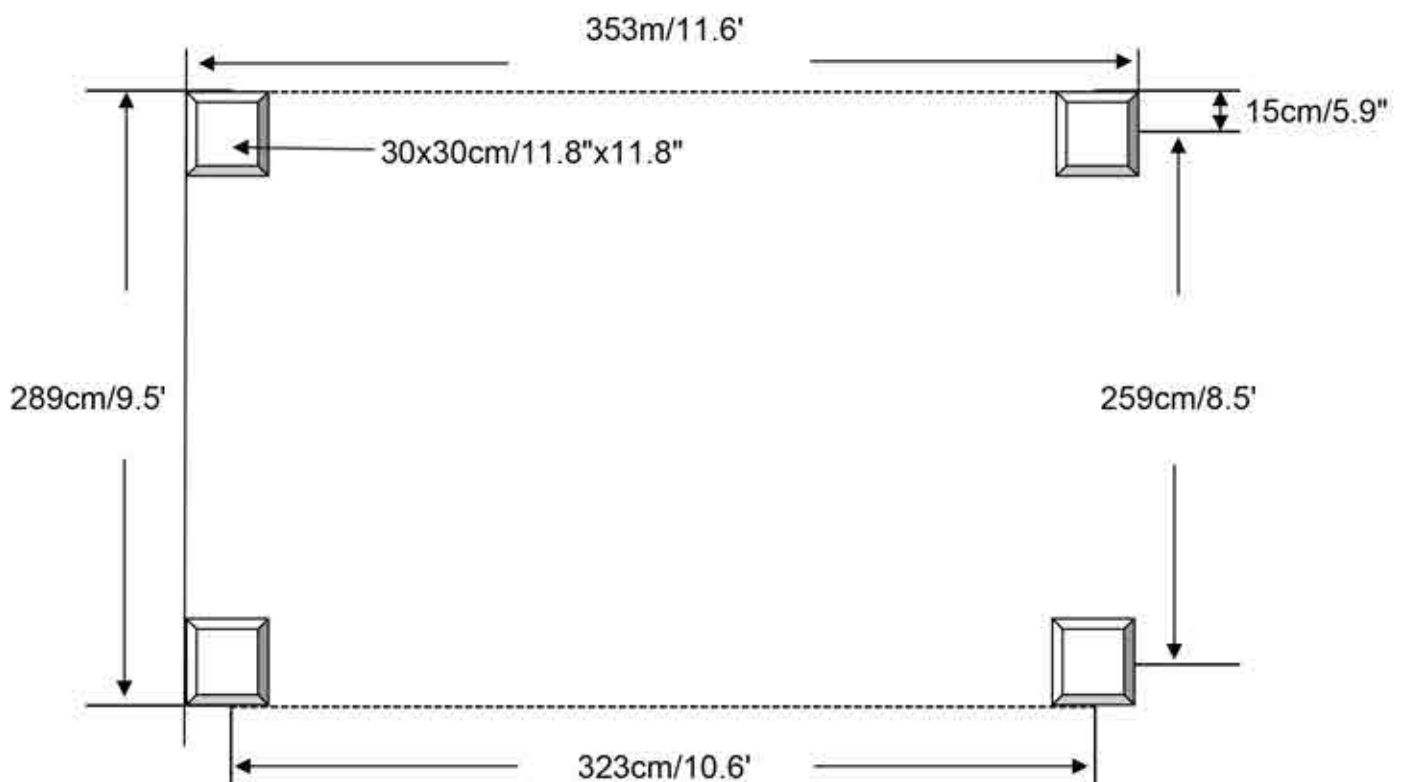


4. You may need a safety hat.



8. For ease of construction, you may need to use a drill.

Odyssey 10x12' ANCHOR BLUEPRINT





A 4x POLE



C 2x BEAM



C1 2x BEAM



C2 2x BEAM



C3 2x BEAM



D 4x CORNER ROOF BAR



E 6x ROOF BAR



F 4x FINISHING BAR



F1 4x FINISHING BAR



F2 2x FINISHING BAR



G 4x FINISHING BAR



G1 4x FINISHING BAR



G2 2x FINISHING BAR



H 4x FINISHING BAR



H1 4x ROOF BAR



J 4x SOLIDIFYING BAR



J1 4x SOLIDIFYING BAR



J2 2x SOLIDIFYING BAR



K 4x FINISHING BAR



K1 4x FINISHING BAR



K2 2x FINISHING BAR

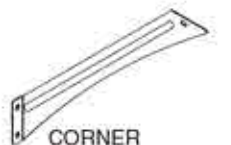


B 4x PLATE



CORNER
SOLIDIFYING BAR

L 4x



CORNER
SOLIDIFYING BAR

L1 4x



CORNER
COVER

M 4x



JOINT
COVER

N 4x

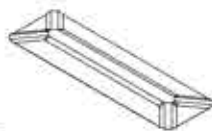


SUPPORTING
PART

P 4x



Q 1x INSIDE ROOF
CONNECTOR



Q1 1x OUTSIDE ROOF
CONNECTOR



FINISHING
END

R 12x



FINISHING
END

R1 6x



R2 12x FINISHING
END

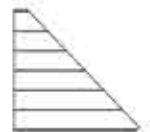


SUPPORTING
PART

S 8x



T 4x PANELS



T1 4x PANELS



T2 2x PANELS



U 4x PANELS



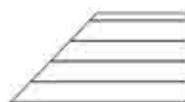
U1 4x PANELS



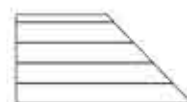
V 4x PANELS



V1 4x PANELS



V2 4x PANELS



V3 4x PANELS



W 2x PANELS



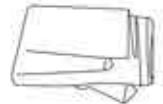
W1 2x PANELS



X 104x HOOK



Y 20x PLASTIC LOCK



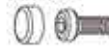
Z 4x SOLID SIDEWALL



Z1 4x MOSQUITO SIDEWALL



AA 4x JOINT COVER



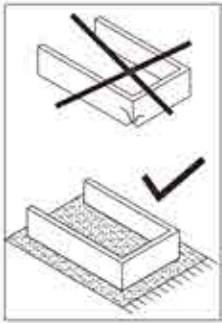
M6x12

1 150 x SCREWS



M6x16

2 25 x SCREWS



M6x15

3 8x SCREWS



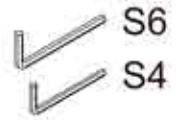
ST4.8x10

4 32x SCREWS



M5x10

5 4x SCREWS



S6
S4

6 3x ALLEN KEY & SCREW DRIVER

Step 1:

Set up poles (Part A) with plates (Part B) using screws #1 as shown in diagram.



A 4x



B 4x



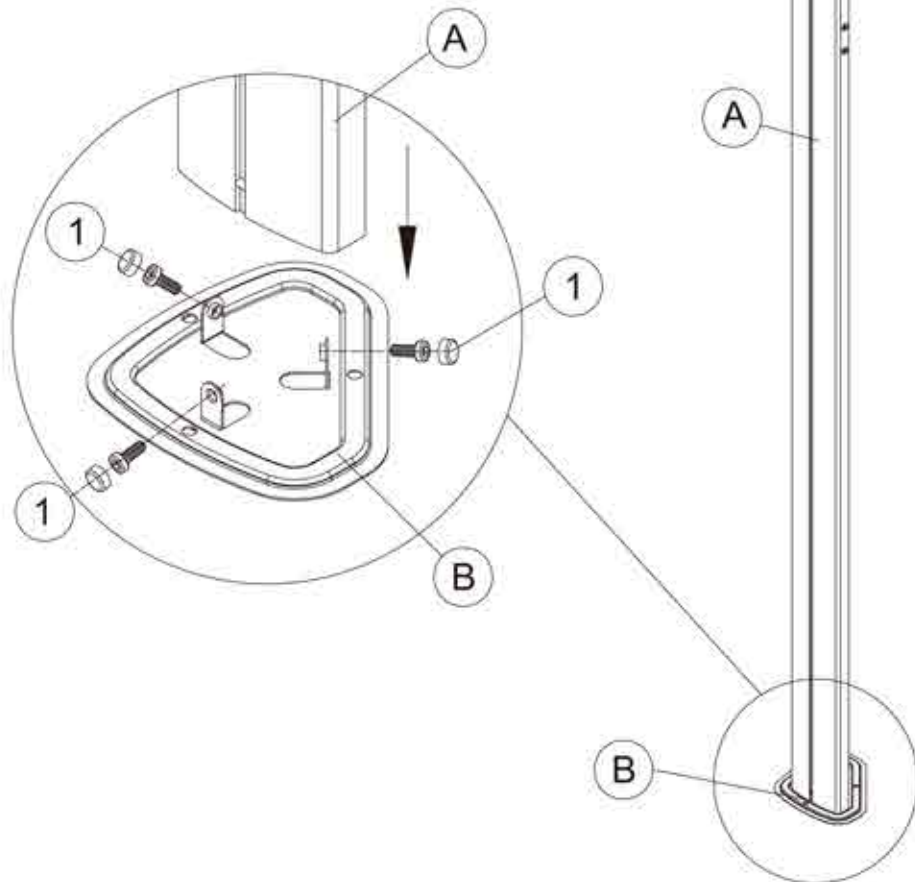
M6x12

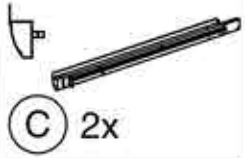
1 12x



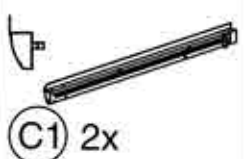
S4

6 1x





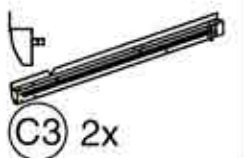
(C) 2x



(C1) 2x



(C2) 2x



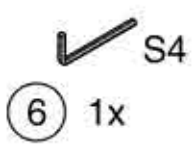
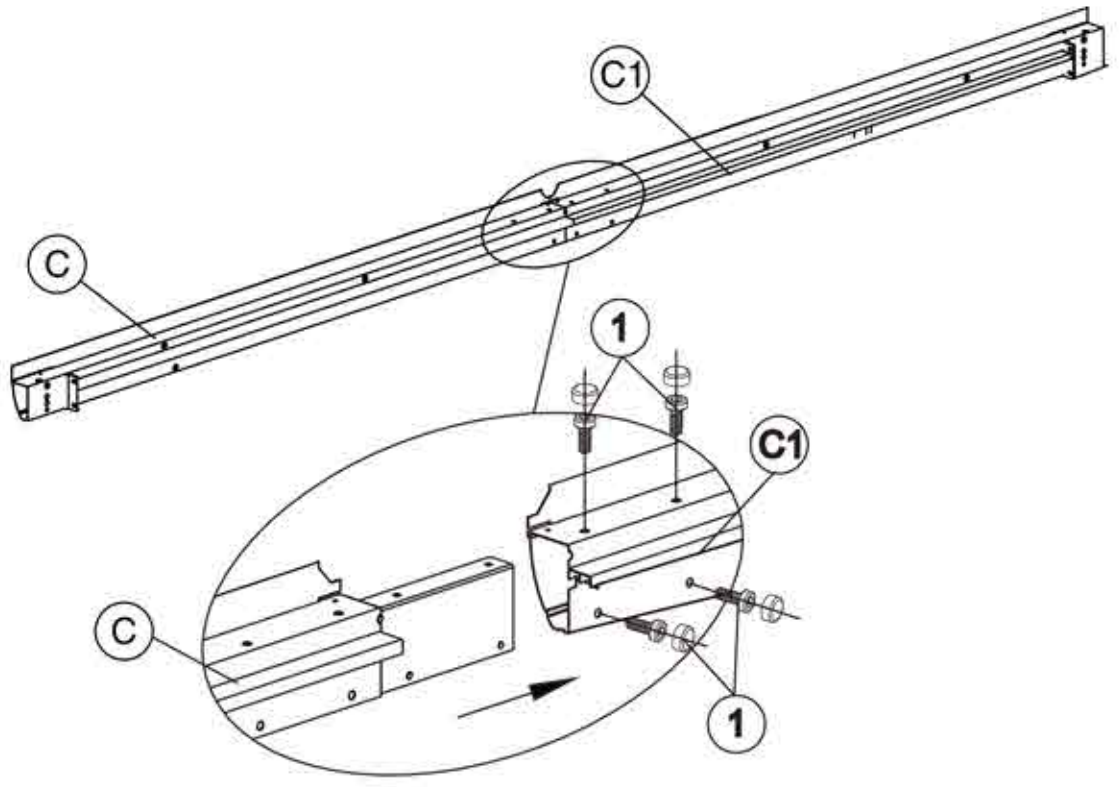
(C3) 2x



M6x12

(1) 16x

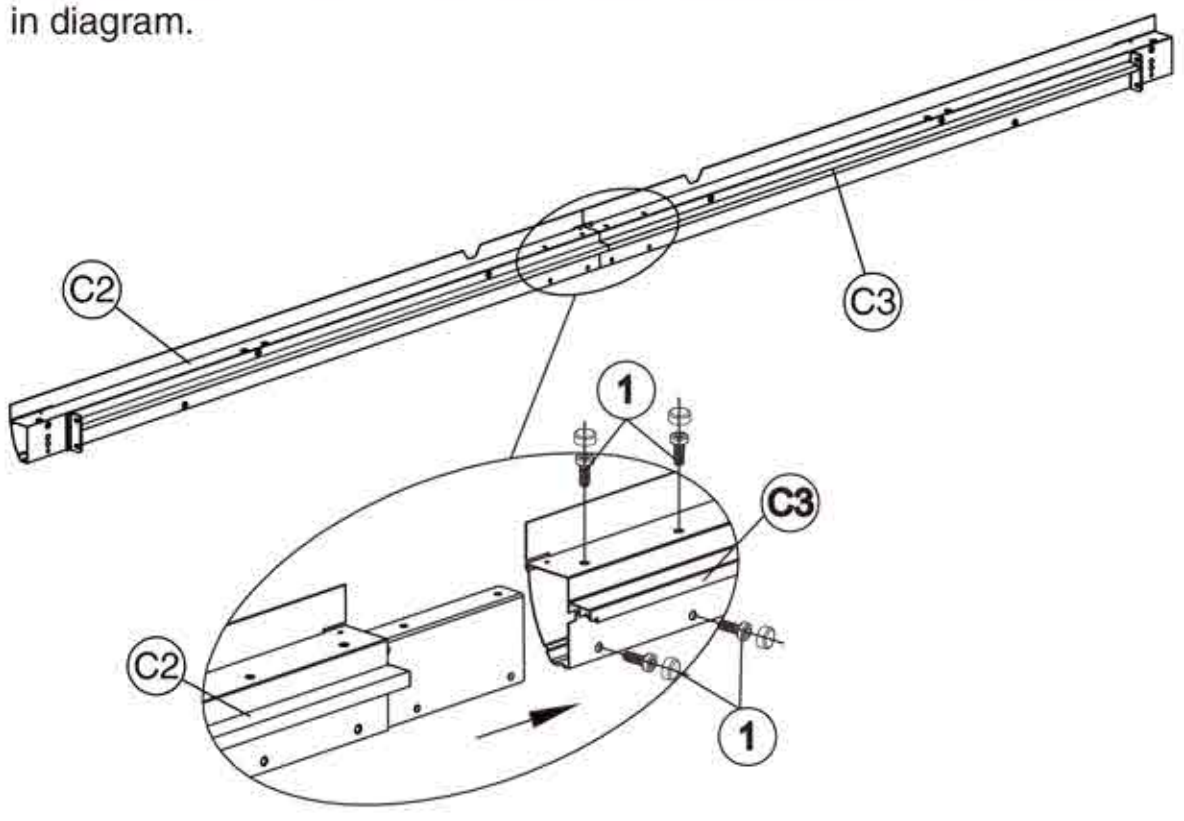
Step 2: Connect Part C and C1 into one beam using screws #1 as shown in diagram.



S4

(6) 1x

Connect Part C2 and C3 into one beam using screws #1 as shown in diagram.



Step 3: Use screws #1, #2 and #3 to connect poles and beams as shown in diagram.


M6x12



1 8x


M6x16

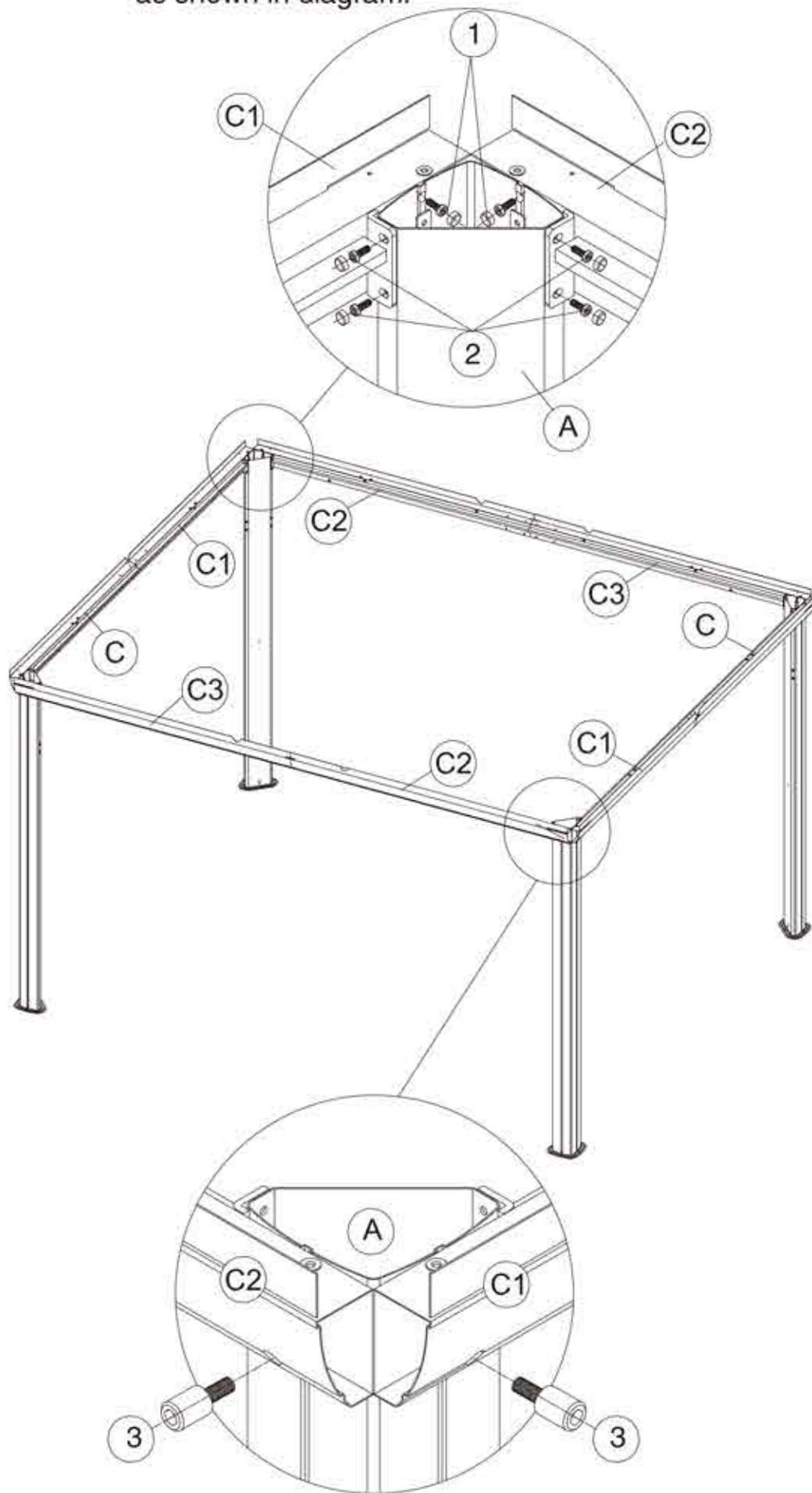
2 16x


M6x15

3 8x

 S6
 S4

6 1x



Step 4: Affix the frame with corner solidifying bars (Part L and L1) by using screws #1 as shown in diagram.



L 4x



L1 4x



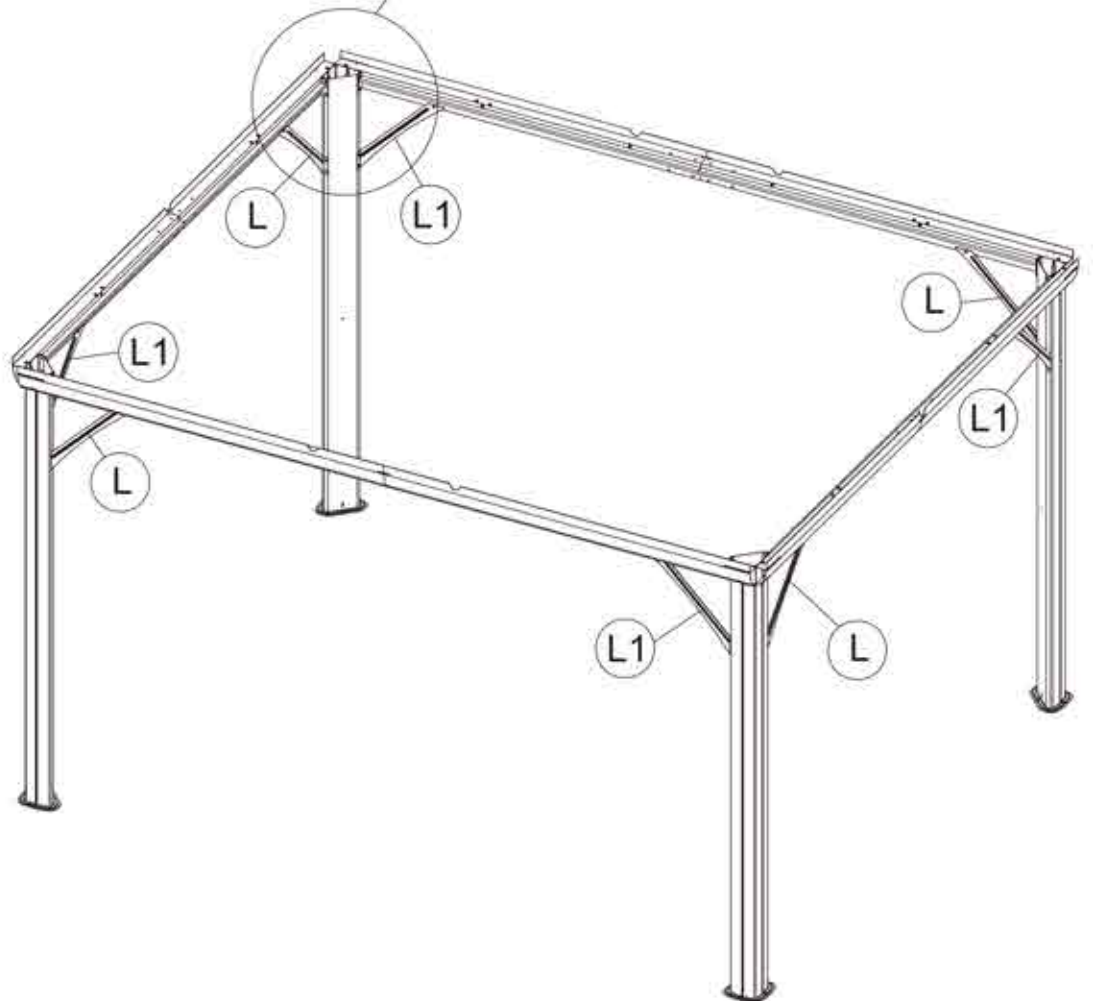
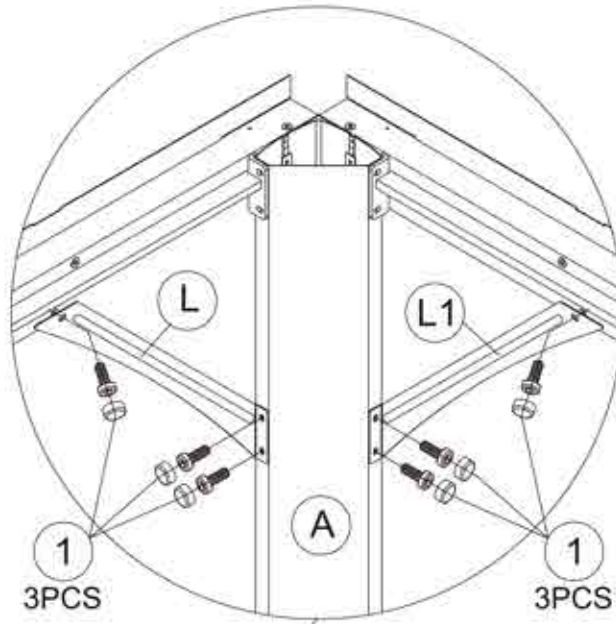
M6x12

1 24x



S4

6 1x





X
x104



AA x4

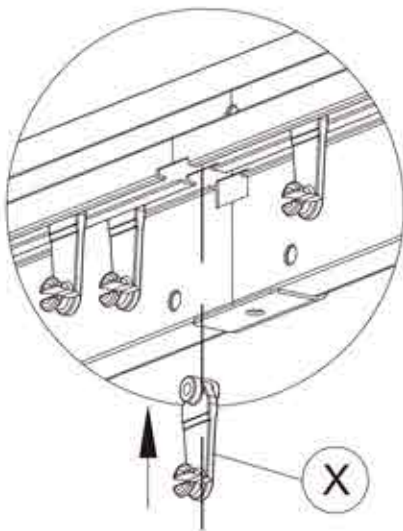
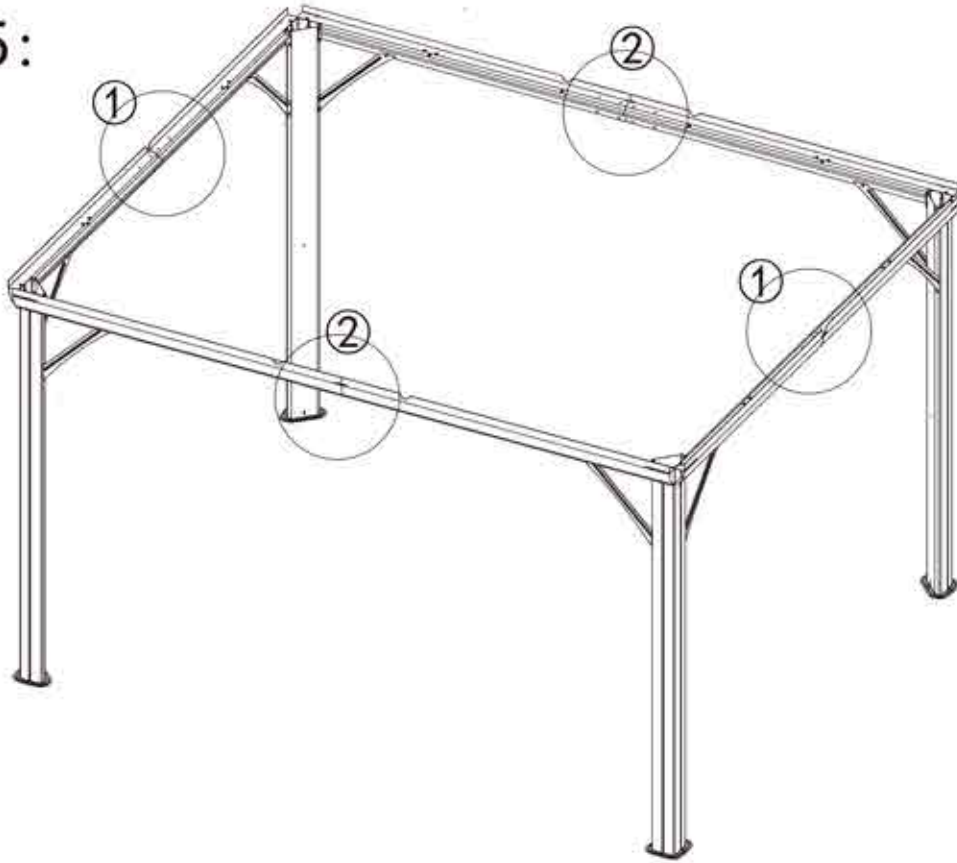
⑤



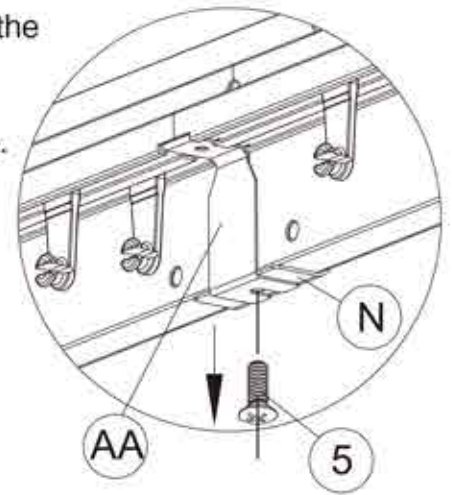
M5x10

4x

Step 5:

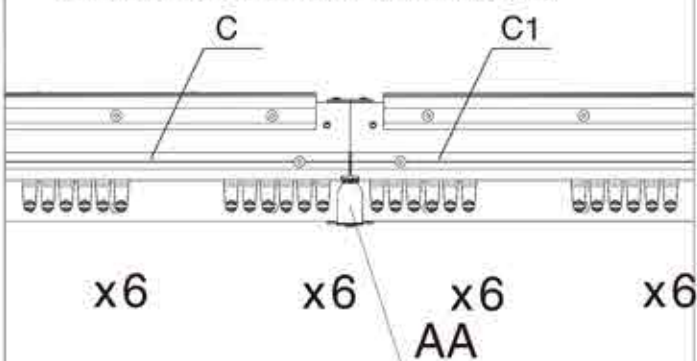


Step 5, After you finish putting the hooks into the tracks, secure part AA using screws #5. This locks the hooks into place.



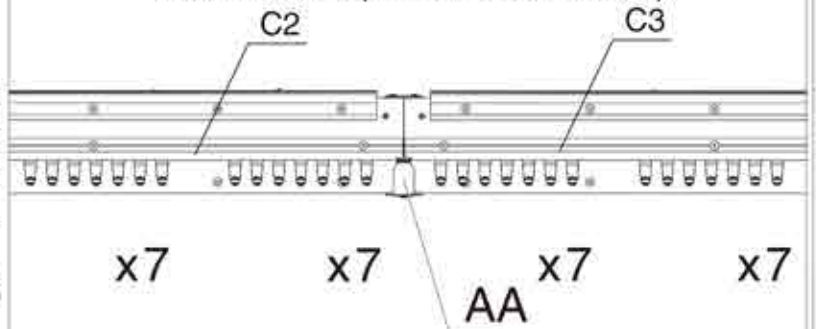
Put 6 hooks to each slot of sidewall track (Part C and Part C1)

①



Put 7 hooks to each slot of sidewall track (Part C2 and Part C3)

②



Step 6: Finish connecting beams using corner covers (Part M) and screws #4 as shown in diagram.



M 4x



N 4x



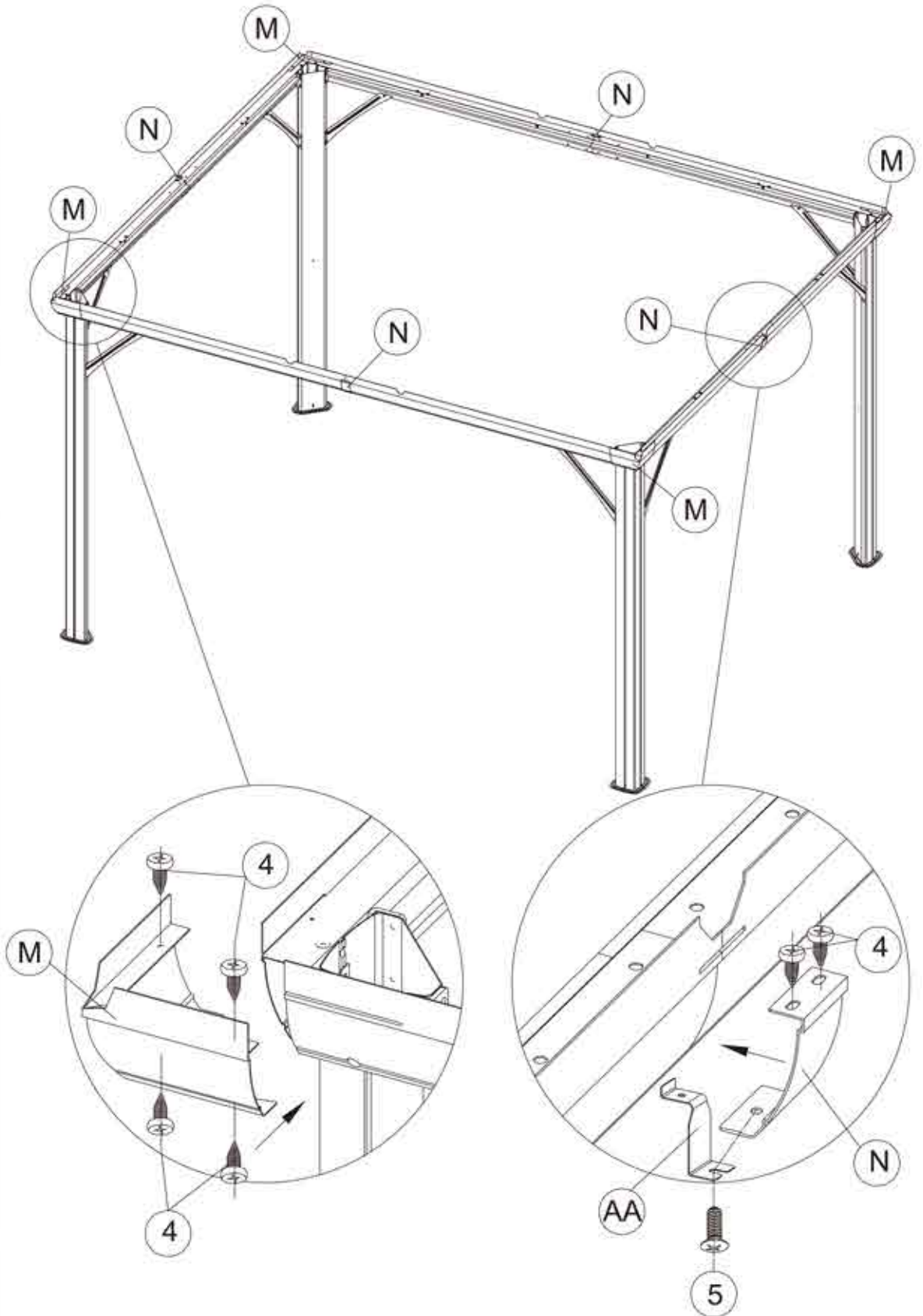
ST4.8x10

4 24x



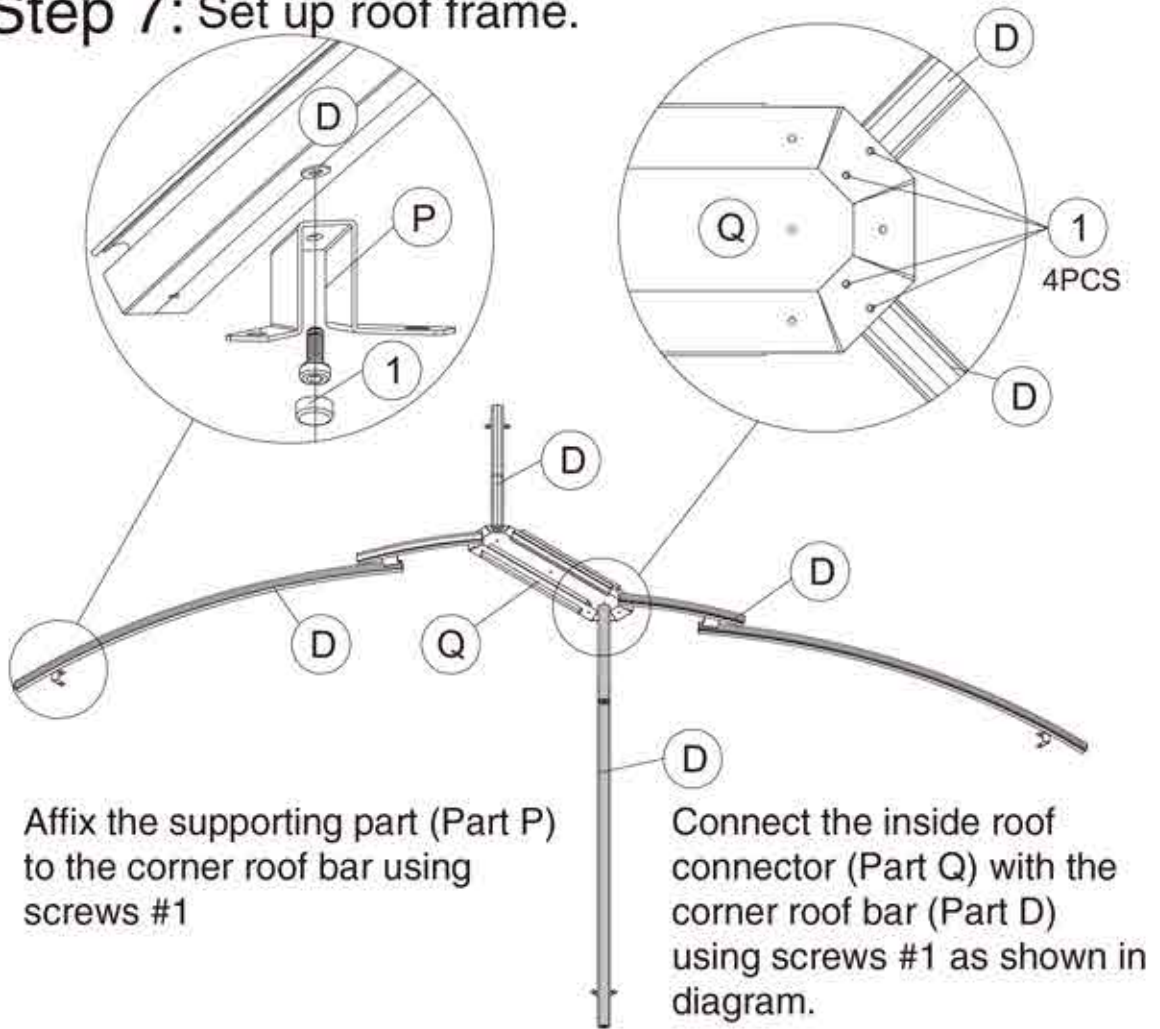
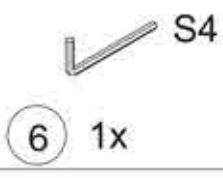
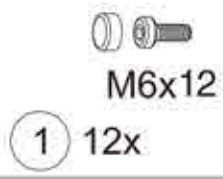
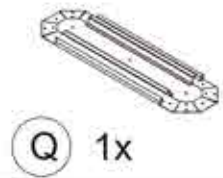
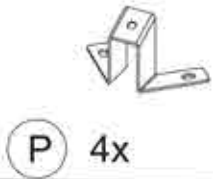
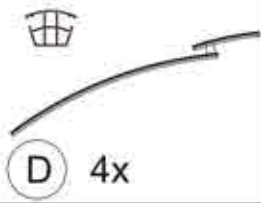
M5x10

5 4x

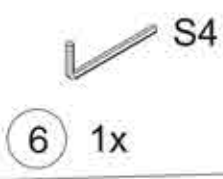
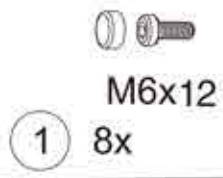


Affix middle beams using joint cover (Part N) and screws #4 and #5 as shown in diagram.

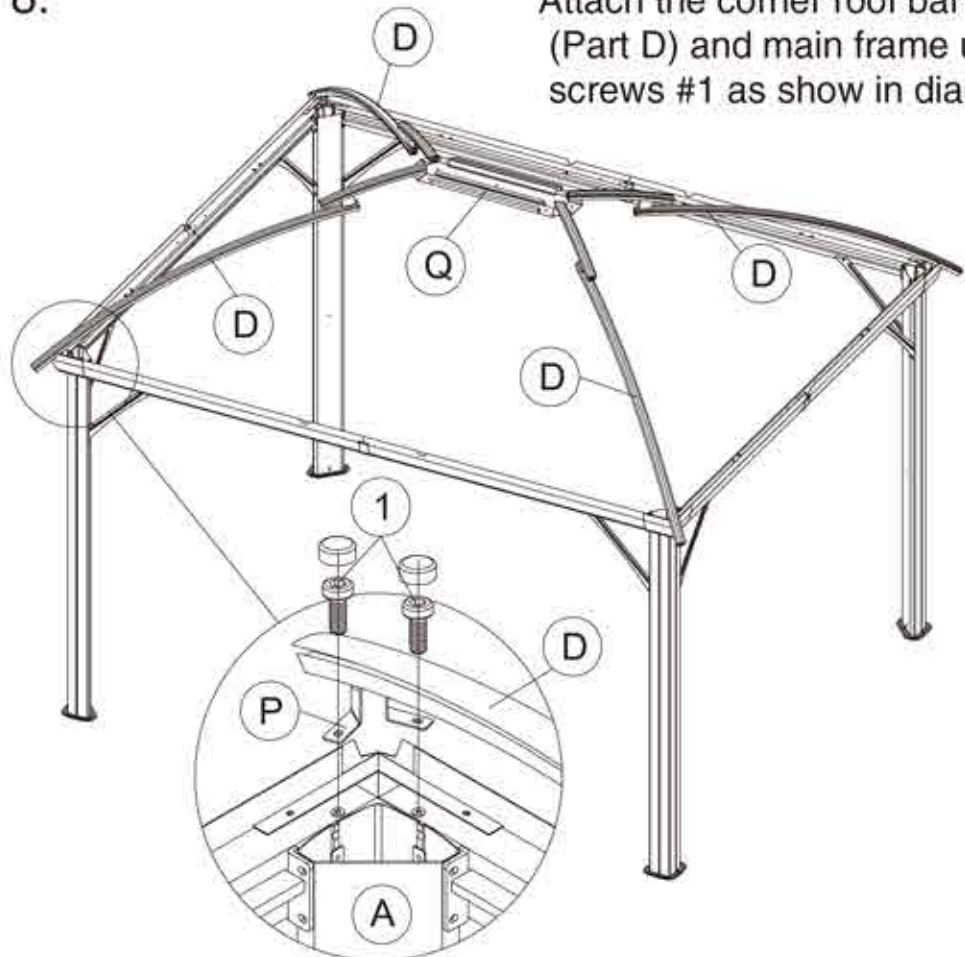
Step 7: Set up roof frame.

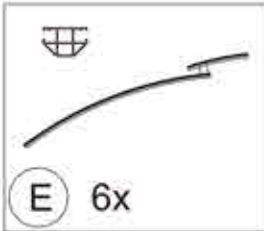


Step 8:



Attach the corner roof bar (Part D) and main frame using screws #1 as show in diagram.





E 6x



M6x12

1 6x



M6x16

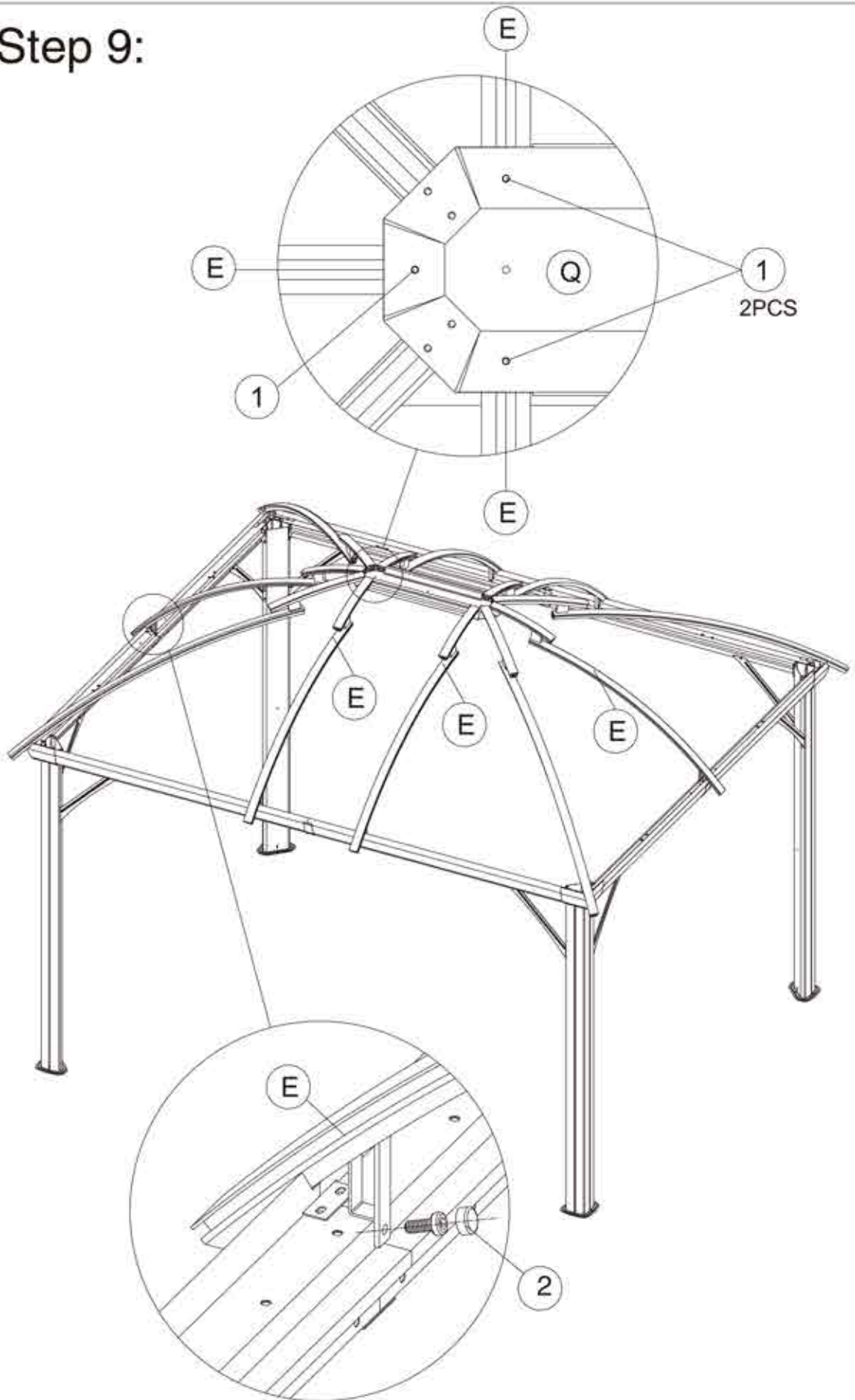
2 6x



S4

6 1x

Step 9:



Attach Roof Bars (Part E) to inside roof connector and main beam using Screws 1#&2# as shown in diagram.

Step 10:

Connect the outside roof connector (Part Q1) to inside roof (Part Q) using screw #2 as shown in diagram.



(F) 4x



(F1) 4x



(F2) 2x



(Q1) 1x



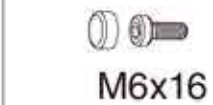
(R) 4x



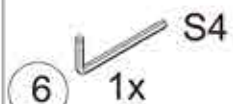
(R1) 6x



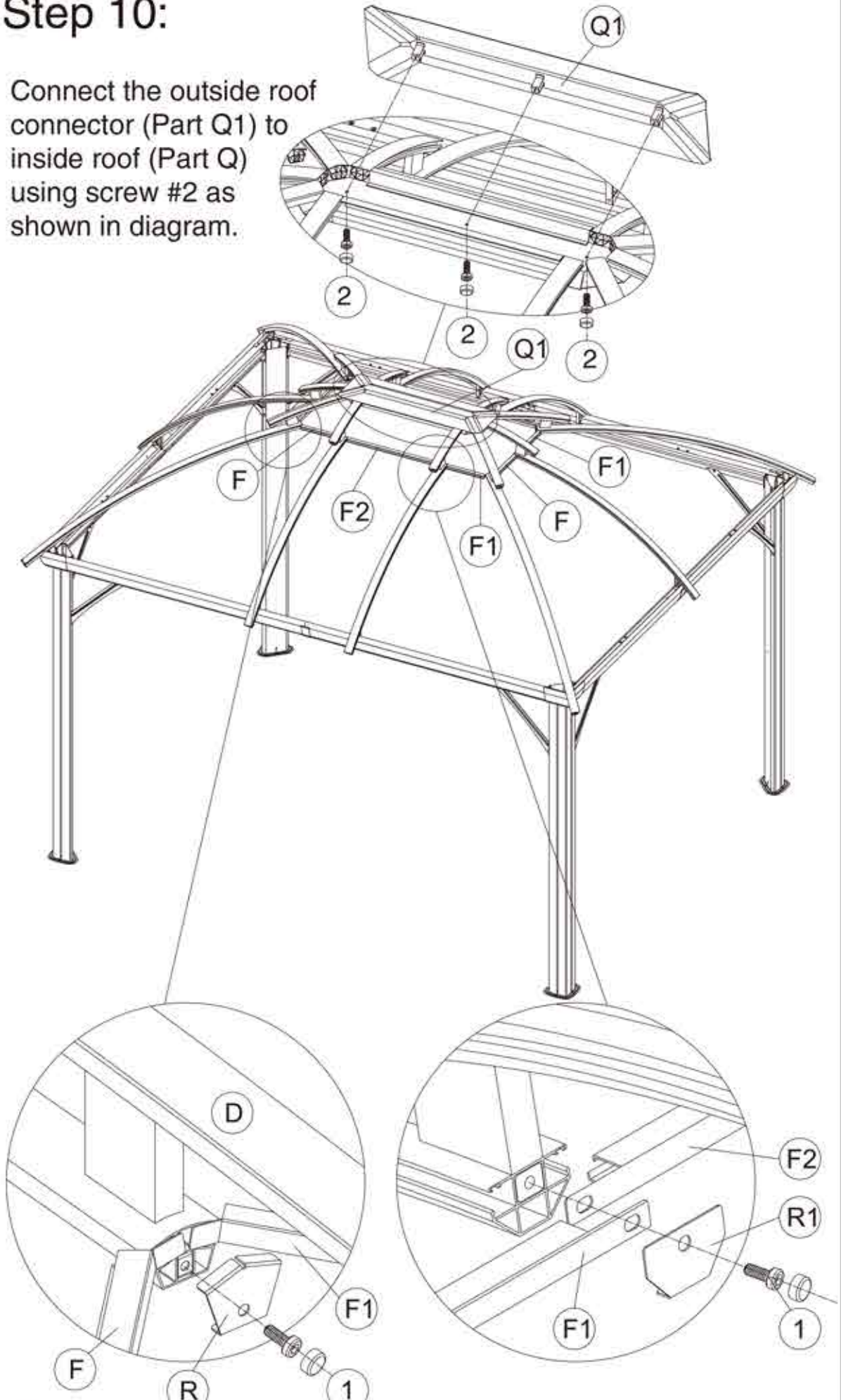
(1) 10x



(2) 3x

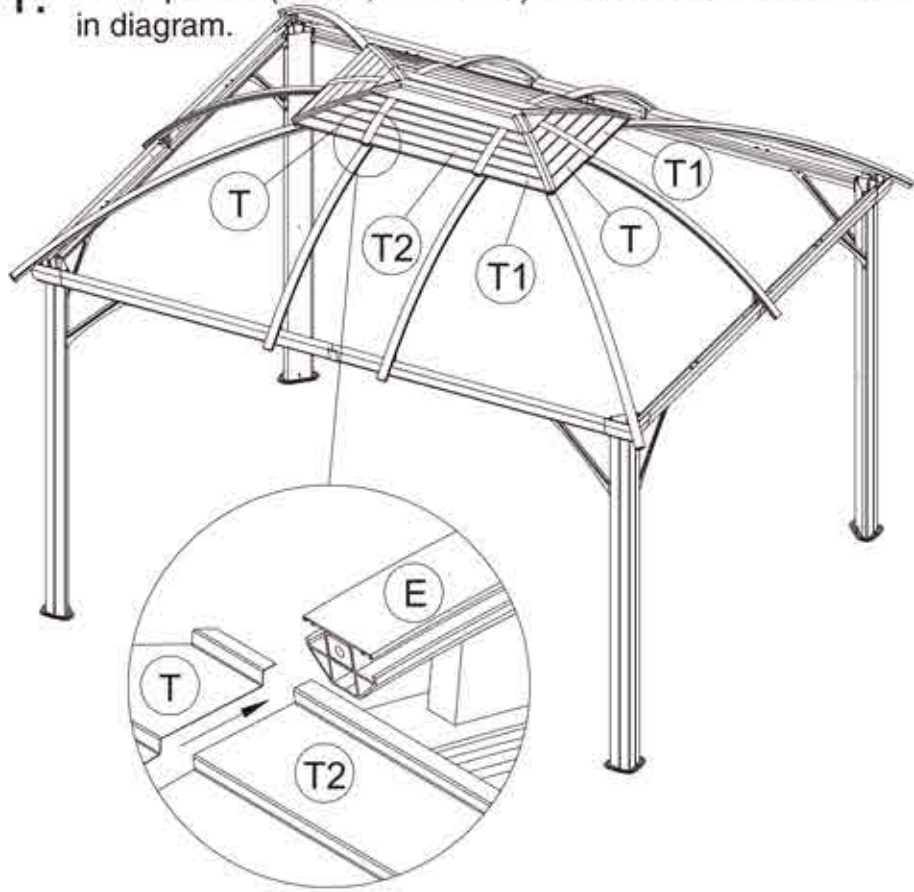
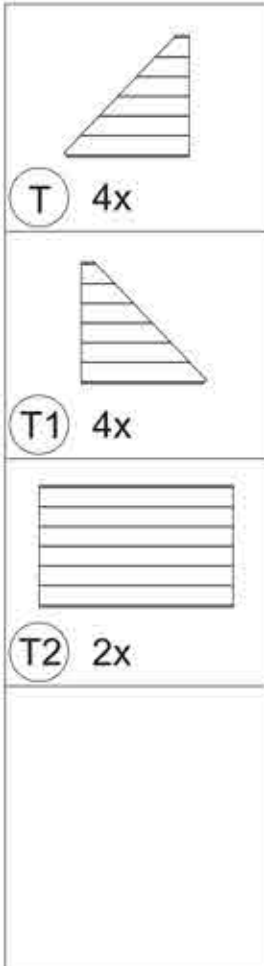


(6) 1x

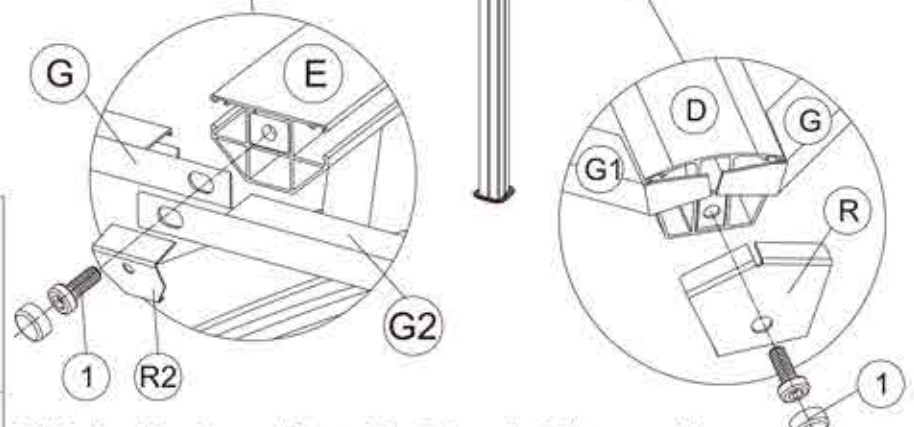
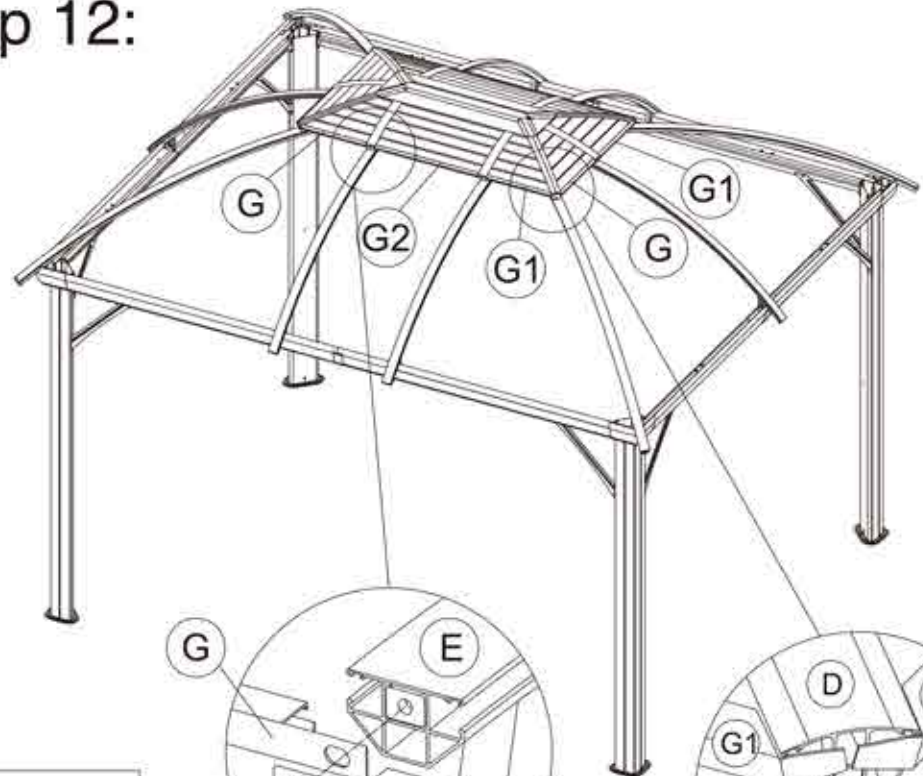
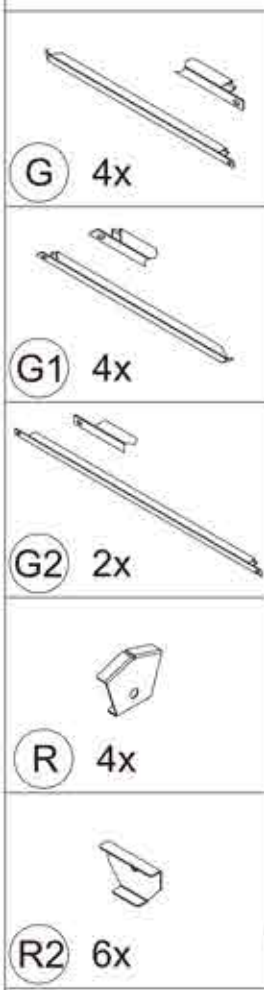


Affix finishing bars (Part F, F1 and F2) to roof bars (Part D & E) using finishing end (Part R and R1) and screws #1 and #2 as shown in diagram.

Step 11: Insert panels (Part T, T1 and T2) into the slots of roof bars as shown in diagram.








Step 12:

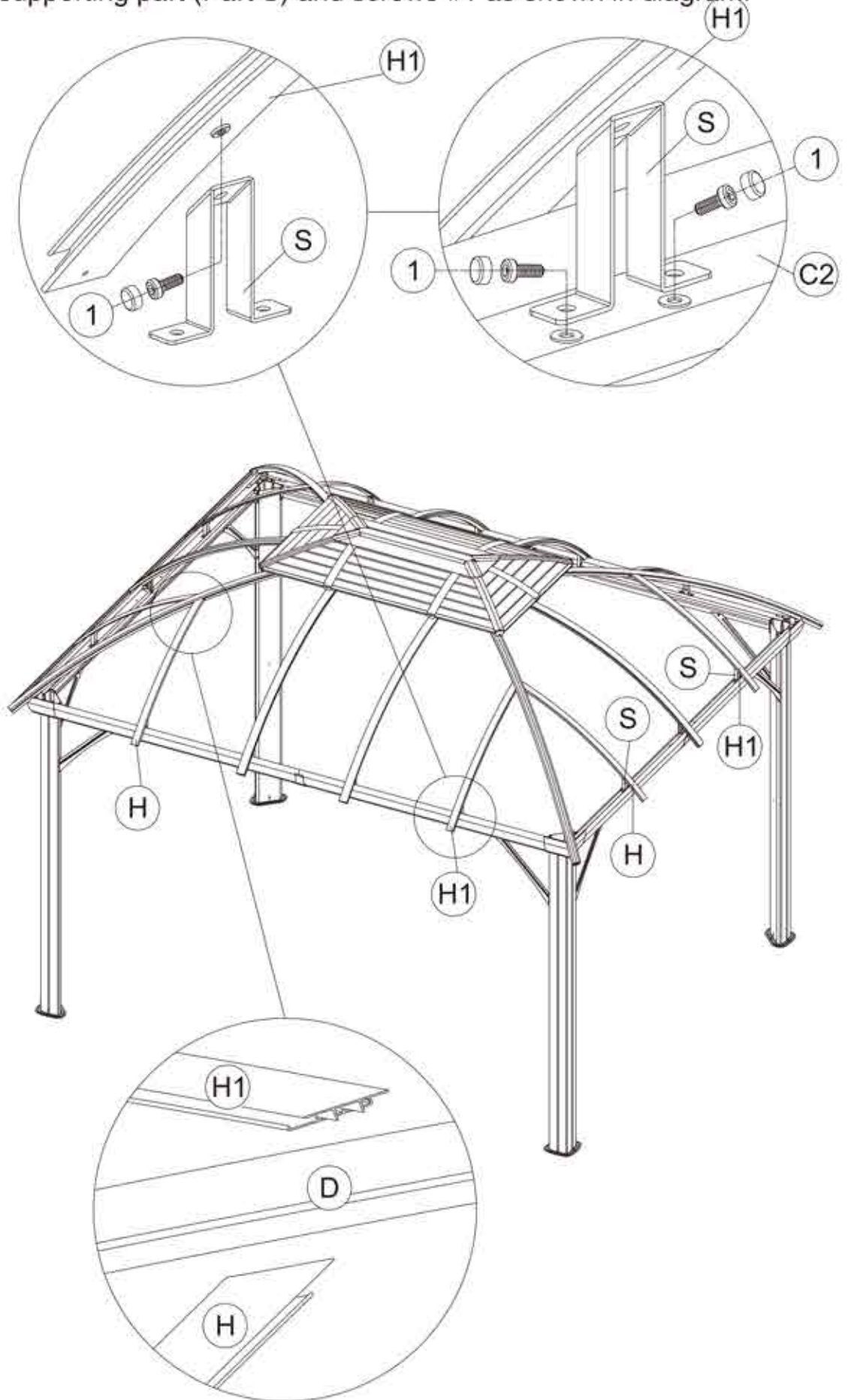


Affix finishing bars (Parts G, G1 and G2) to roof bars (Part E and D) using finishing end (Part R and R2) and screw #1 as shown in diagram.



Step 13: Affix roof bars (Parts H and H1) to beam using supporting part (Part S) and screws #1 as shown in diagram.

-  **H** 4x
-  **H1** 4x
-  **S** 8x
-  **1** 24x
M6x12
-  **S4**
- 6** 1x



Insert roof bars (Part H and H1) to the slot of corner roof bar (Part D) as shown in diagram.

Step 14: Affix solidifying bars (Parts J and J1) to corner roof bar (Part D) using screw #1 as shown in diagram.



J 4x



J1 4x



J2 2x

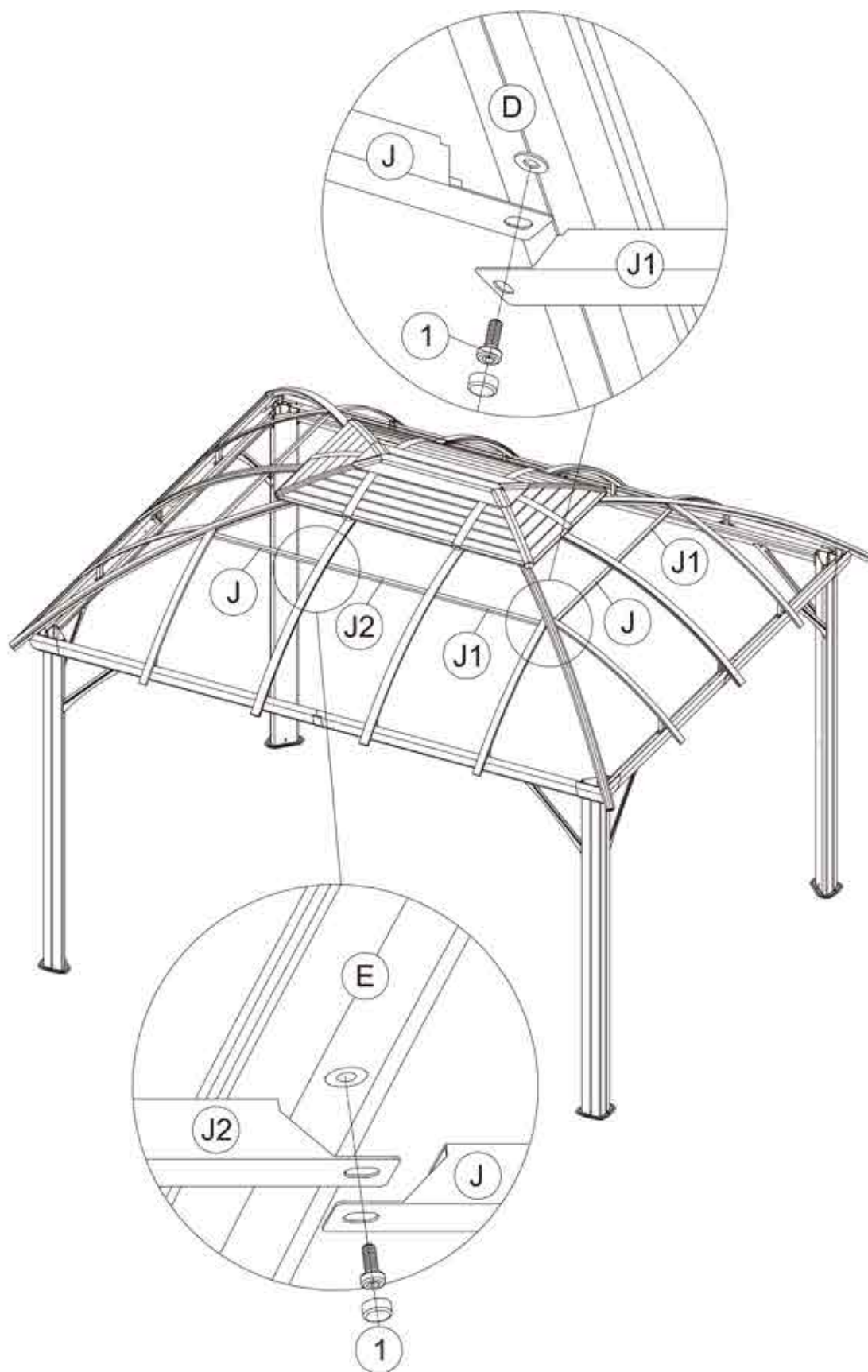


M6x12

1 10x

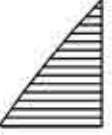
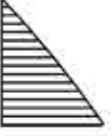
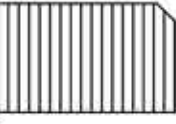
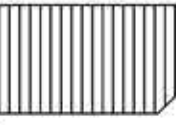
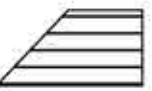
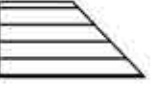
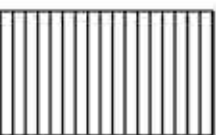




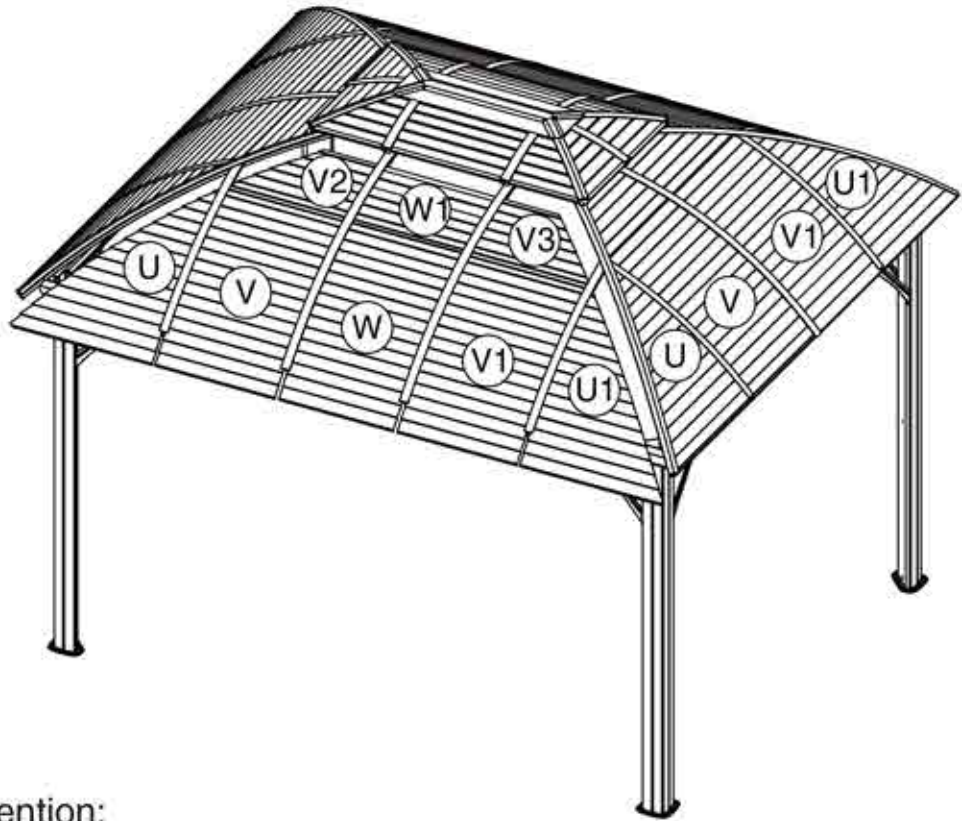
6 1x



Affix solidifying bars (Parts J and J2) to roof bar (Part E) using screw 1# as shown in diagram.

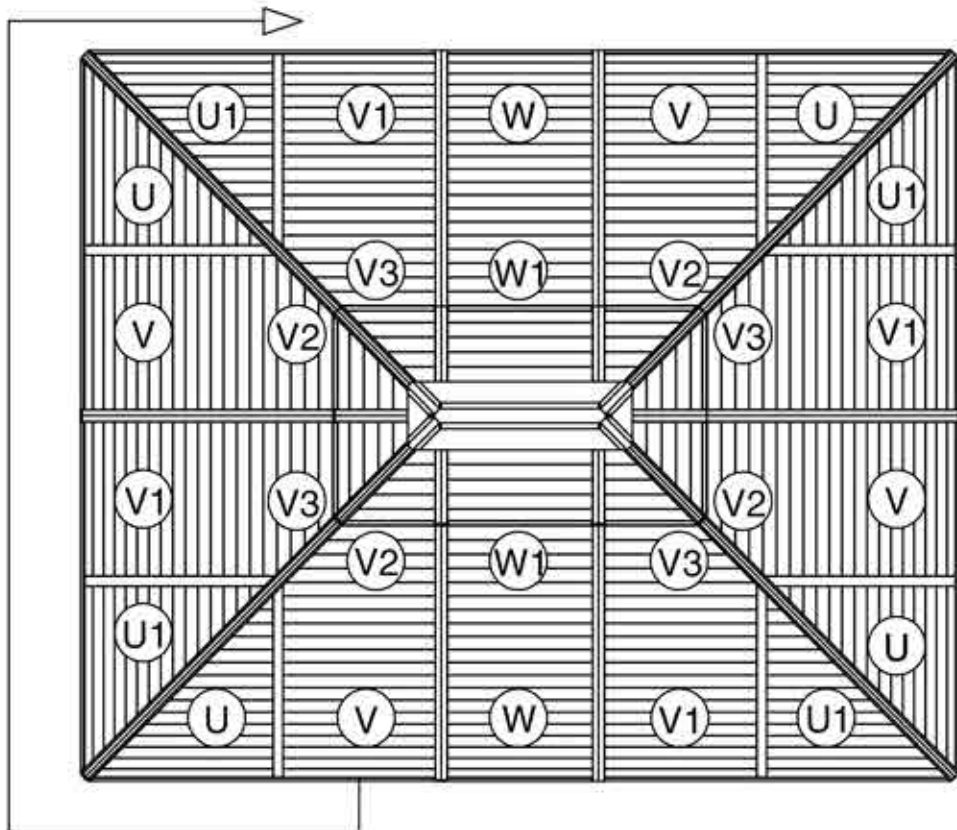
Overall Roof Assembly

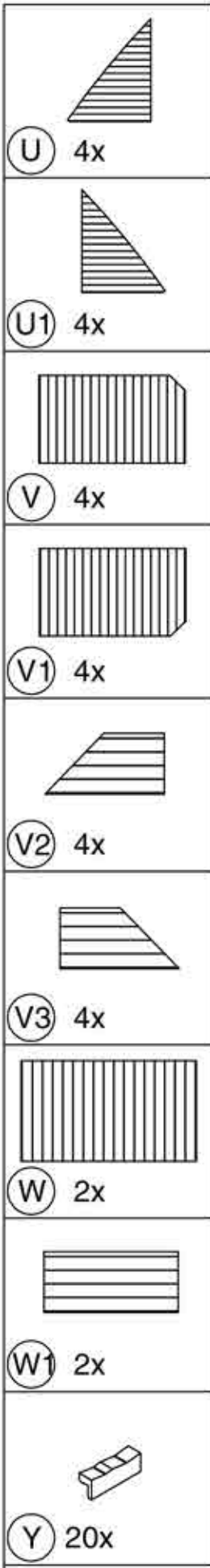
-  **U** 4x
-  **U1** 4x
-  **V** 4x
-  **V1** 4x
-  **V2** 4x
-  **V3** 4x
-  **W** 2x
-  **W1** 2x
-  **Y** 20x



Attention:

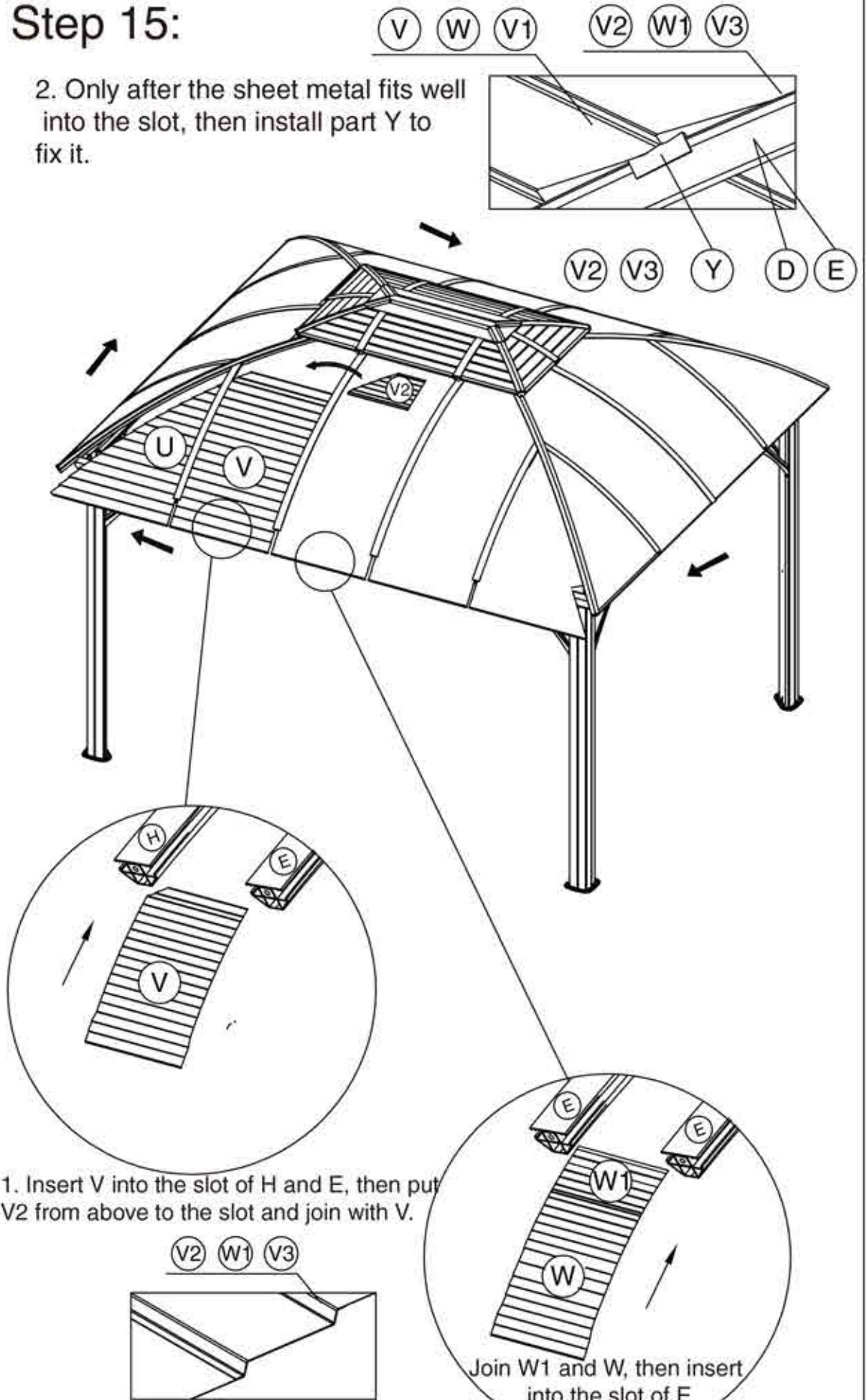
Start from V and install piece by piece in a clockwise sequence. Only W and W1 can jointly insert into the slot. Fit V2 and V3 from top to the slot.





Step 15:

2. Only after the sheet metal fits well into the slot, then install part Y to fix it.

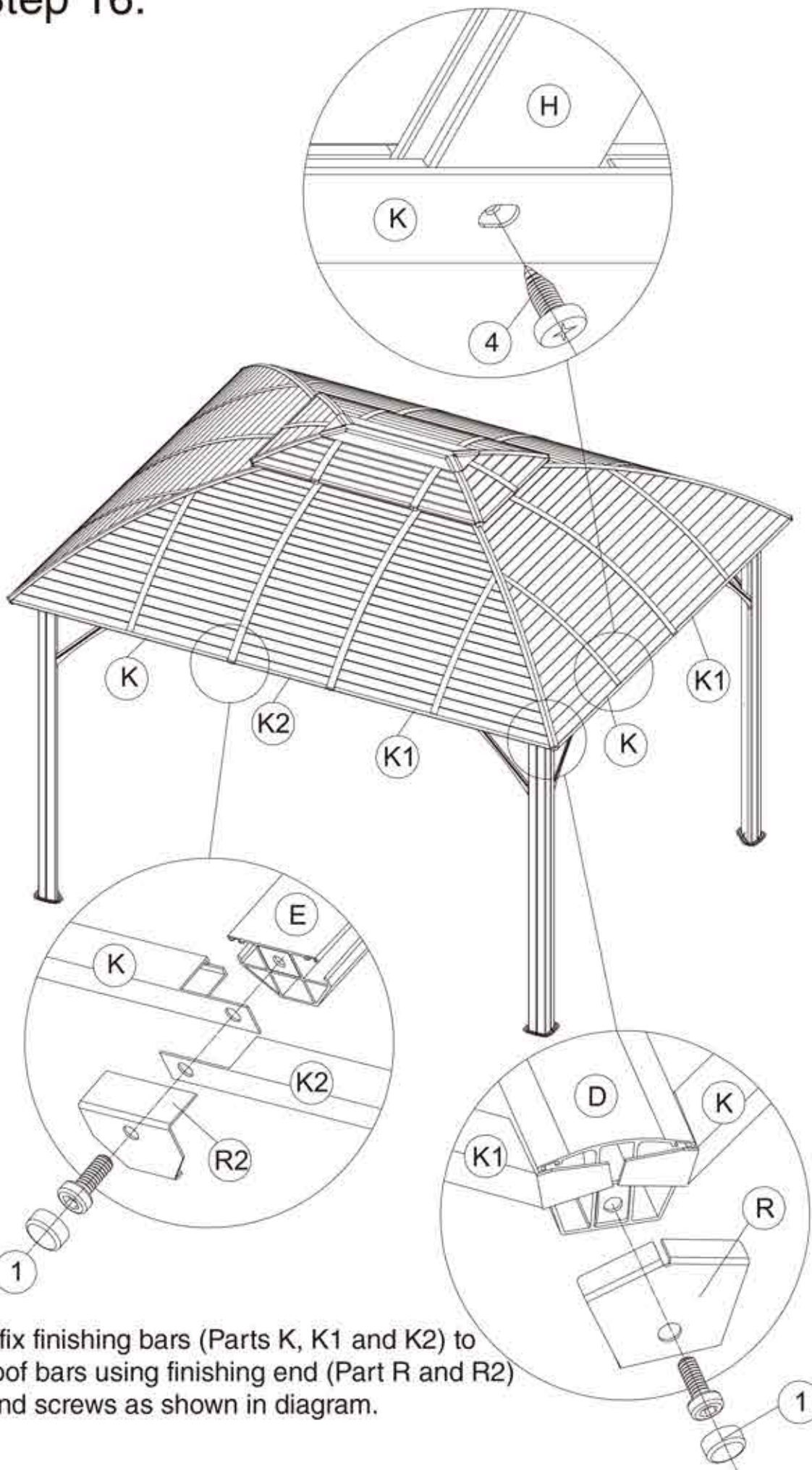
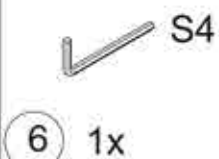
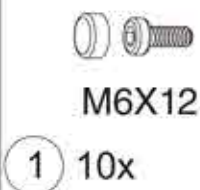
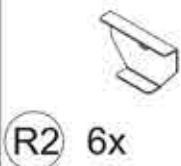
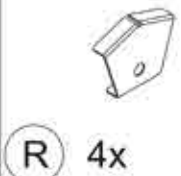
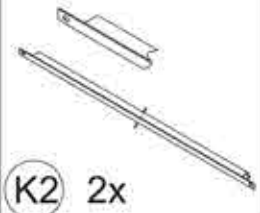
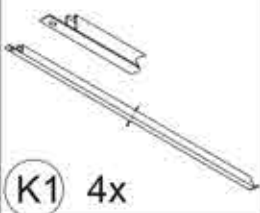
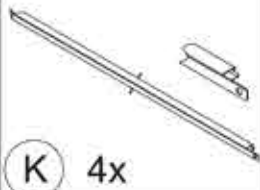


1. Insert V into the slot of H and E, then put V2 from above to the slot and join with V.

V W V1

Connection between V and V2,V1 and V3,W and W1

Step 16:

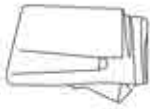


Affix finishing bars (Parts K, K1 and K2) to roof bars using finishing end (Part R and R2) and screws as shown in diagram.

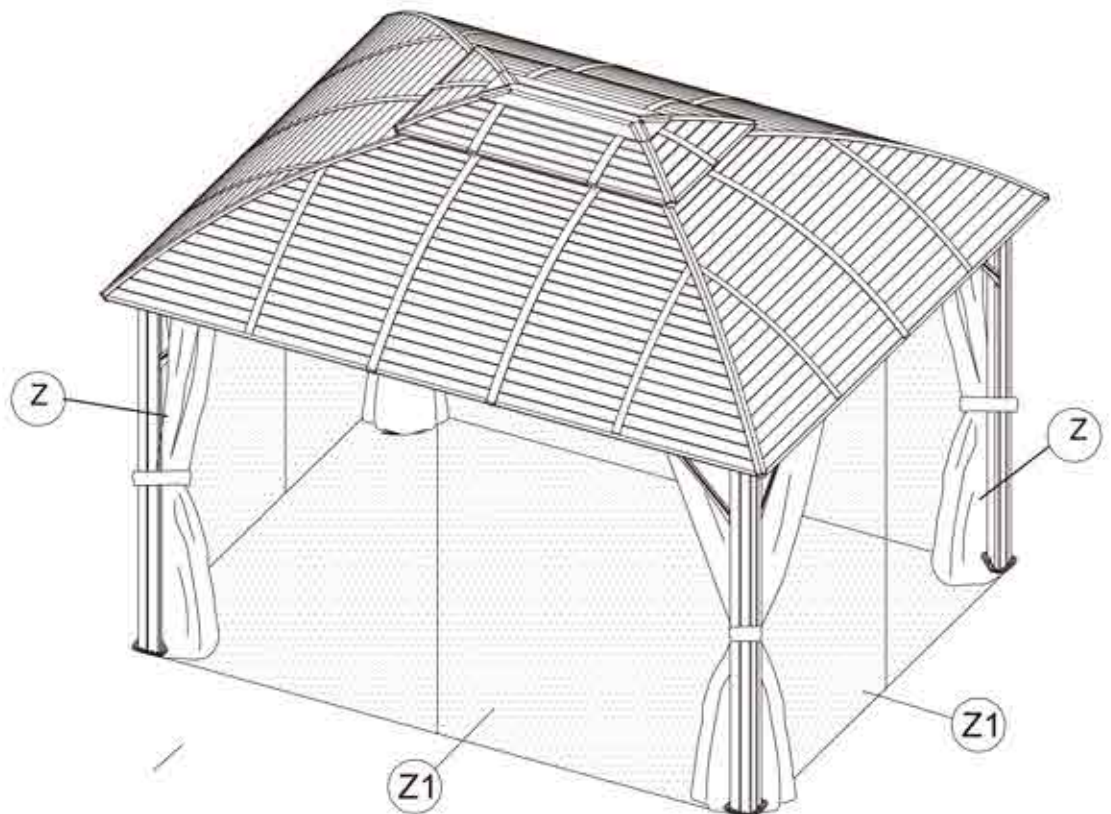
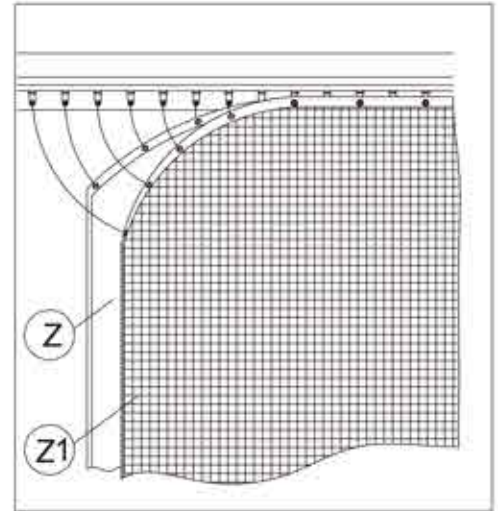
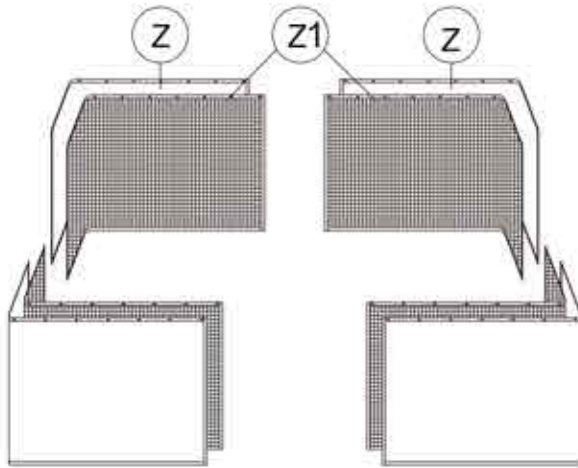
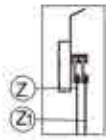
Step 17 : Hang up solid sidewall as shown in diagram.



Z1 4x



Z 4x

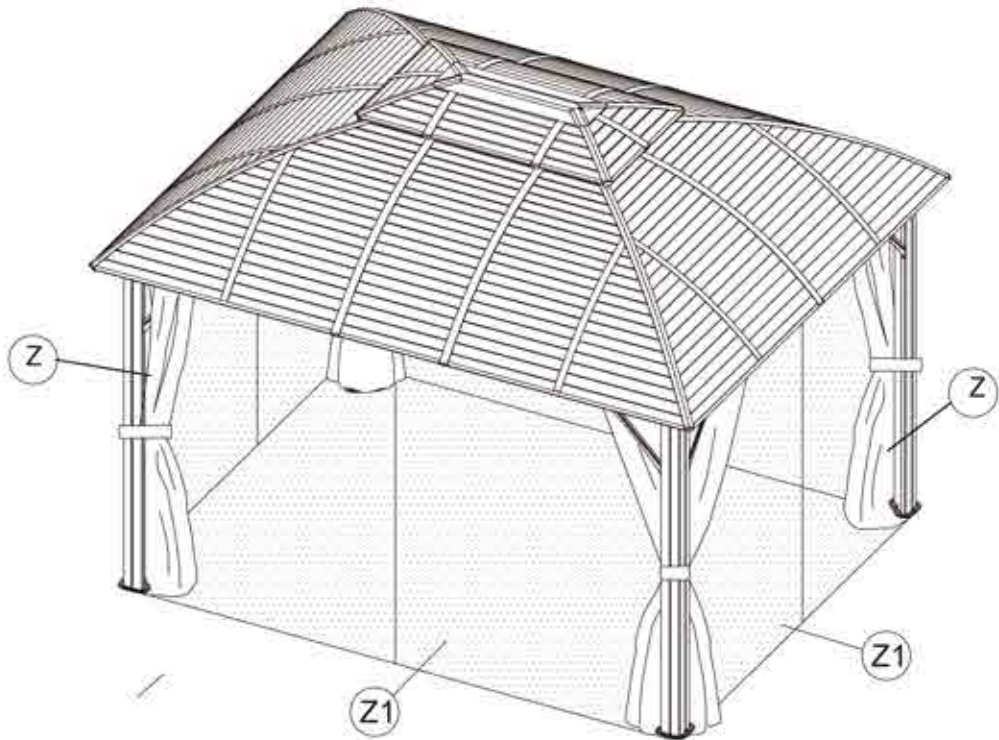




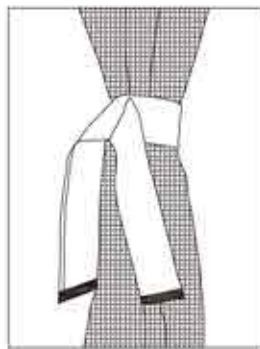
X4

Step 18:

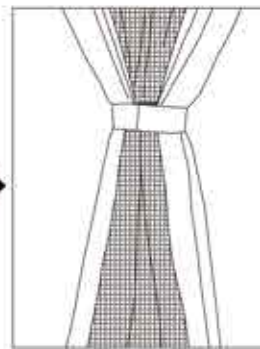
When you close the curtain, please tie fabric strape to poles as shown in diagram.



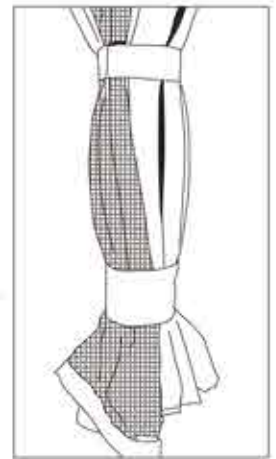
There are three ways to secure your netting and curtains to the legs using the 4 included ties:



1.) Securing just the netting.



2.) Securing netting and curtains.



3.) Use all ties for windy conditions.

In the end, check all screws are fastened tightly before using.